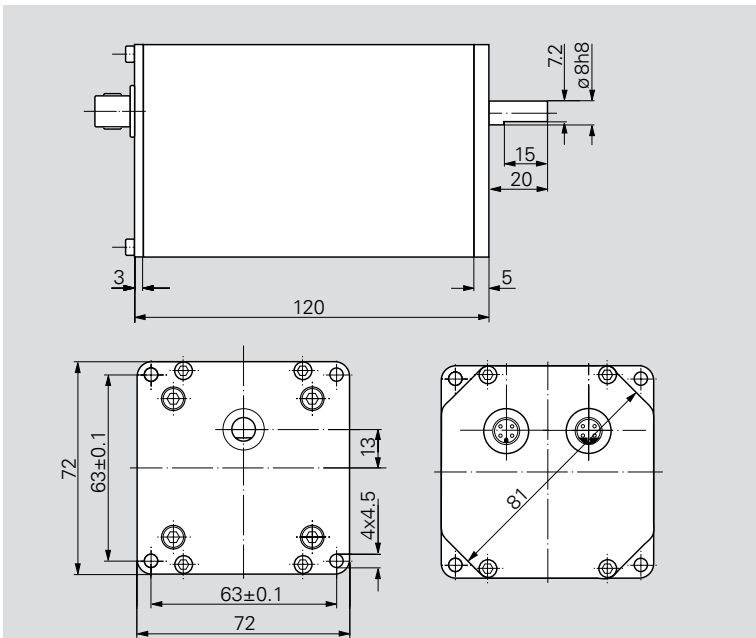


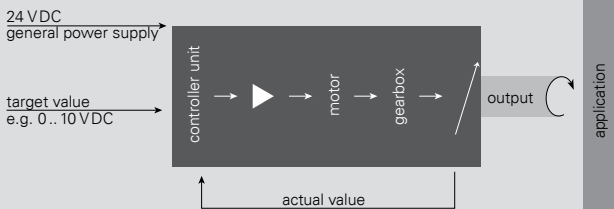


Duty cycle	100 %
Supply voltage	24 VDC (+20/-15 %)
Nominal current	0.5 A
No-load current	0.2 A
Positioning resolution	0.5 % of positioning range
Positioning accuracy	2 % of positioning range
Positioning range	max. 15 rotations
Shock resistance in accordance with IEC/DIN EN 60068-2-27	50 g 11 ms
Vibration resistance in accordance with IEC/DIN EN 60068-2-6	10..55 Hz 1.5 mm/ 55..1 000 Hz 10 g/ 10..2 000 Hz 5 g
Output shaft	8 mm solid shaft
Maximum axial force	20 N
Maximum radial force	30 N
Ambient temperature	0..50 °C
Storage temperature	-10..70 °C
Protection class	IP65
Weight	800 g
Certificates	CE



All dimensions in mm.

Functional block diagram PSE 272



Nominal torque	Nominal rated speed	A
1 Nm	60 rpm	272/1
2 Nm	30 rpm	272/2
4 Nm	15 rpm	272/3
5 Nm	7.5 rpm	272/4

Default analog target value	B
0..10 VDC ( $R_L > 2 \text{ k}\Omega$ )	A
0..20 mA ( $R_L < 500 \Omega$ )	B
4..20 mA ( $R_L < 500 \Omega$ )	C

Positioning range <sup>1)</sup>	C
max. 15 rotations	

<sup>1)</sup> Value in rotations, max. 15 possible. For < 1 rotation, conversion of the angle. Example:  $270^\circ = 0.75$  rotations.

Order code	A	B	C
PSE 272			

### Accessories

Mating connector Order no. 9601.0048  
(A-encoded socket and one B-encoded socket, 4-pole)